

# Brafab

THINKING OUTSIDE

ASSORTMENT 2024

FURNITURE COVERS

# Furniture care

## Take care of your outdoor furniture.

Protecting your outdoor furniture and taking good care of it will bring benefits in the long run. To make it easy for you, we have developed a wide range of new furniture covers that suit all our different types of furniture.



### Breathable and Waterproof

In winter or in bad weather, all outdoor furniture benefits from being properly protected. We have in our new range, two versions that will do the job every time.

Your furniture will keep fresh and healthy for many years to come.

# Cover – Breathable

## Let your furniture catch their breath! -

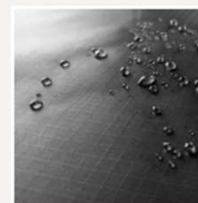
A cover for your furniture of the best materials.

This material breaths and lets moist out and still keeps your furniture dry.

All the features is all Brafab standard - Taped seams, Elastic band in bottom, weather strap is some of the extra something that Brafab brings to the table!

*Made of TPU coated RIP Stopped breathable polyester.*

*Most common application for the material is outdoor gear, however, it is also used for example for parachutes, hang gliders, sails or kites.*



## Key points

- RIP stopped breathable polyester material
- Light weight
- When not in use; easy to store into a high quality "sailors' bag"
- Breathable cover is a perfect fit with your upholstery furniture
- UV resistance – US standard 5 out of 6 scale, third party tested
- TPU coated inside which will give the cover high water resistance
- Weather straps with a choice of two different heights
- Elastic band in the bottom
- Tapered seams on the top
- Velcro band on the inside of the cover to be used for attaching a table/sofa leg
- Free from PFAS

## Cover - Breathable



### Let your furniture catch their breath!

Outside when the different temperatures change from day to night and back again, the phenomena of condensation occurs.

When storing your furniture with a cover it is important to prevent the occurrences of mold and mildew. With a breathable furniture cover from Brafab the material transports the moisture vapor outside and keeps the furniture material fresh and clean at the same time.

A breathable furniture cover is therefore a perfect fit for your upholstery furniture and wooden furniture.



#### ***RIP Stopped breathable polyester.***

*Ripstop is a fabric made of thick, interwoven reinforcement threads to provide resistance to tearing. This extra thread strength is what stops a tear or rip from continuing beyond the first square, thus the name "ripstop."*

# Cover - Breathable



## Light weight and minimal storage space

The material is light weight but at the same time of high endurance. Easy for one person to put on our furniture in bad weather, and easy to take off and takes a small space when stored until next time to use it. No more bulky covers laying around. And the elegant thing is the enclosed storage bag, made like a sailor bag, that is easy to pack down and up the cover and a nice-looking detail when storing the cover.



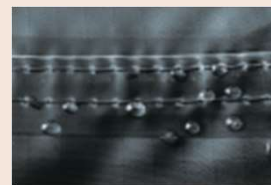
**RIP Stopped breathable polyester.**

*Ripstop is a fabric made of thick, interwoven reinforcement threads to provide resistance to tearing. This extra thread strength is what stops a tear or rip from continuing beyond the first square, thus the name "ripstop."*

## All the details for a perfect furniture cover

The material is a waterproof ripstop polyester (201D) with a back of TPU coating that makes the material breathable. The characteristics gives the cover several advantages. Anti-UV, Dust proof, Waterproof, Snow-resistance and breathability is some of them. On top of this Brafab adds the know-how and experience. With this we have added for example weather straps all around the cover, to hold it in place in bad weather.

And of course, we know that the seams are not waterproof, that is why we have added a waterproof taped seam inside, so it becomes just that - Waterproof!



**Waterproof taped seams**

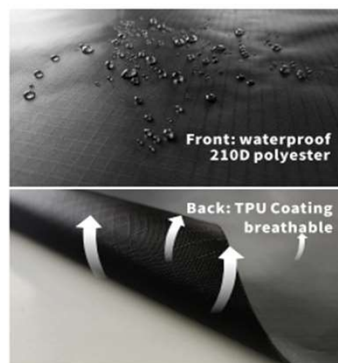
*All seams inside are taped, to give it an extra security.*



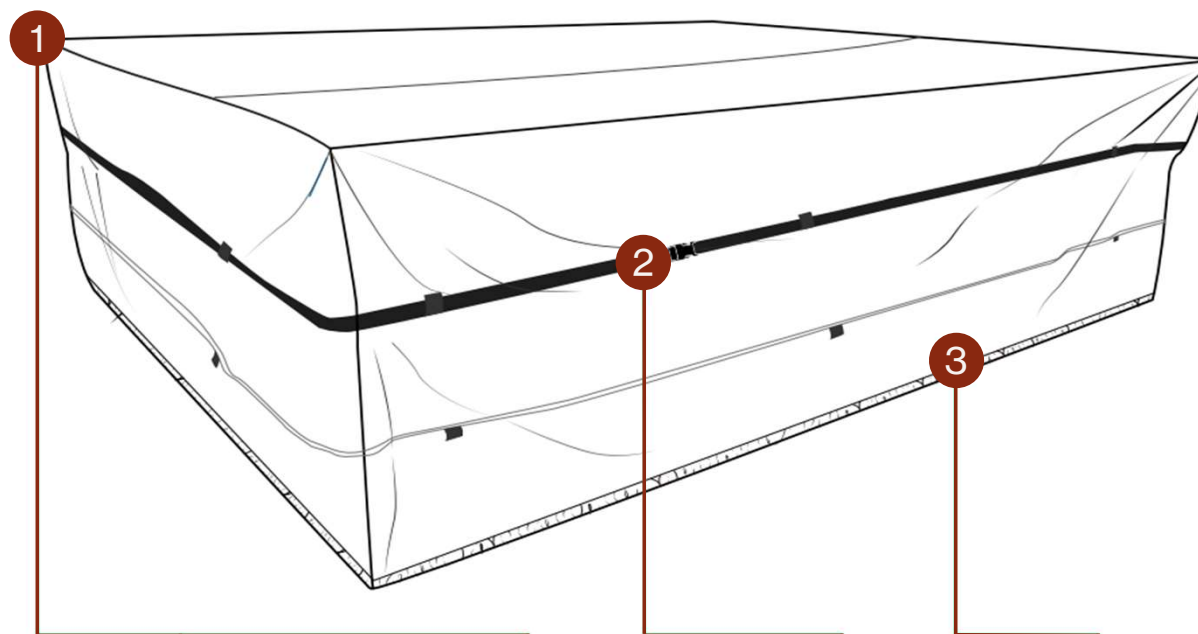
# Cover - Breathable



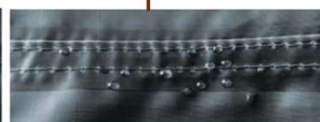
Exclusive sailor-bag included with the cover



- Anti-UV
- Dust proof
- Waterproof
- Snow-resistance
- Breathable



Perfect double-stitch sewing



Waterproof taped seam inside



Adjustable fastening strap with windproof buckle



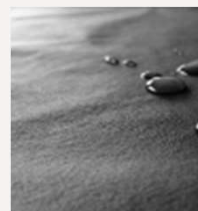
Strong knitted elastic bandage in bottom

# Cover – Waterproof

## Let your furniture stay dry! -

If you really want to keep your furniture dry, this is the cover for you! Total waterproof cover, but with air-pockets to help the ventilation. But keep in mind, this is not for your wooden furniture.

All the features is all Brafab standard - Taped seams, Elastic band in bottom, weather strap is some of the extra something that Brafab brings to the table!



## Key points

- Waterproof
- Weather straps with a choice of two different heights
- Elastic band in the bottom
- Air pockets to increase the ventilation.
- Soft cloth (Spunlace) on the inside to protect the item
- Tapered seams on the top
- Velcro band on the inside of the cover to be used for attaching a table/sofa leg.
- Storage bag included
- Free from PFAS

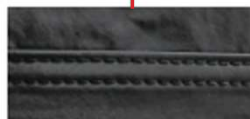
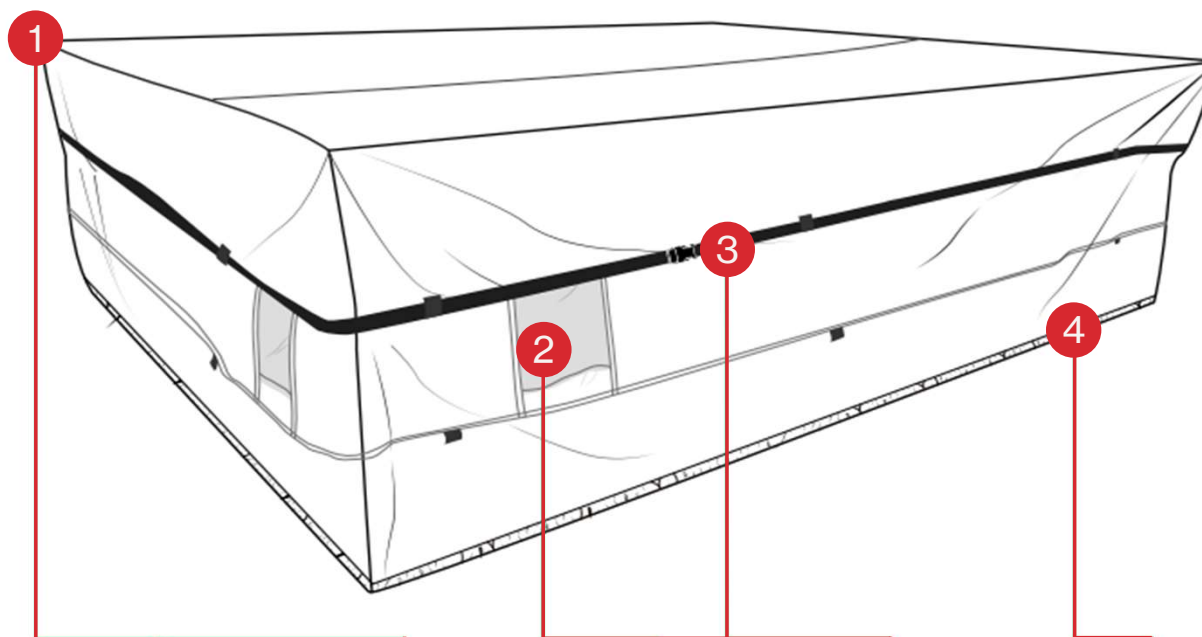
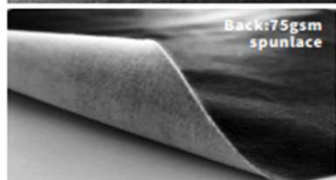
*Made of TPU with spunlace inside.*

*TPU material is chosen for its waterproof level, high abrasion resistance and its excellent heat resistance.*

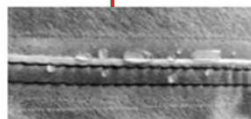
*Spunlace fabric is a versatile material that is strong, durable, and lightweight.*



# Cover - Waterproof



Perfect double-stitch sewing



Waterproof taped seam inside



Vents are placed throughout



Adjustable fastening strap with windproof buckle



Strong knitted elastic bandage in bottom



## *Brafab logo*

*Both the furniture cover and enclosed storage bag have well visible rubber logos.*



## *Details*

*All details on the furniture covers are of high quality and are well designed*

## FAQ

**Will the black colour on the covers fade easily in the sun?**

Both covers are made of yarn died fabric which has a good resistance to fading colour in the sun.

Both our Breathable and Waterproof covers are tested after a US standard and has the level of 5 out of 6, which shows that the UV resistance is very high.

**Will the black colour on the cover increase the heat underneath and increase the grow of mould/fungus more easily?**

If the items are covered before the rain and are dry before they are covered, then it will not increase the possibility of growing mould.

The breathable cover keeps the air circulation high which is important in the case of preventing mould.

The waterproof cover has air pockets which also supports the ventilation, but this cover shall not be used on any wood products, then the breathable cover shall be used.



**Brafab**  
THINKING OUTSIDE